

GSL200

GSL300

GSL360

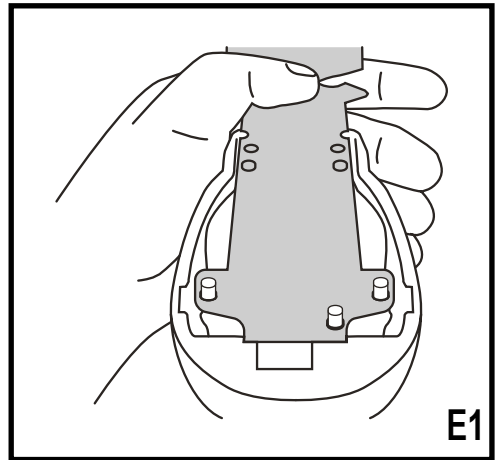
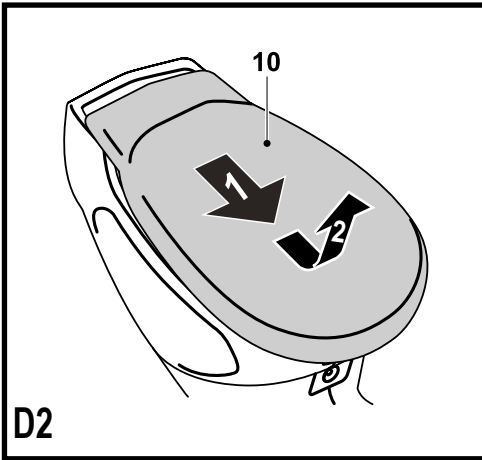
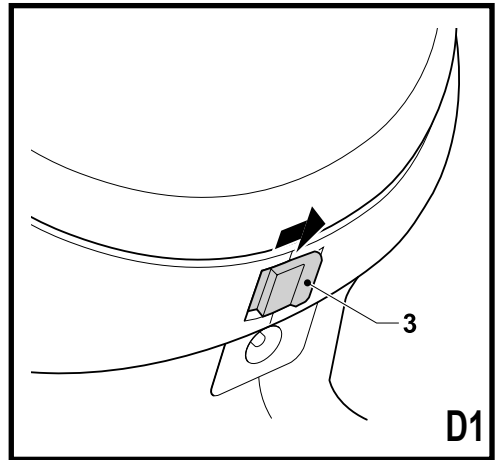
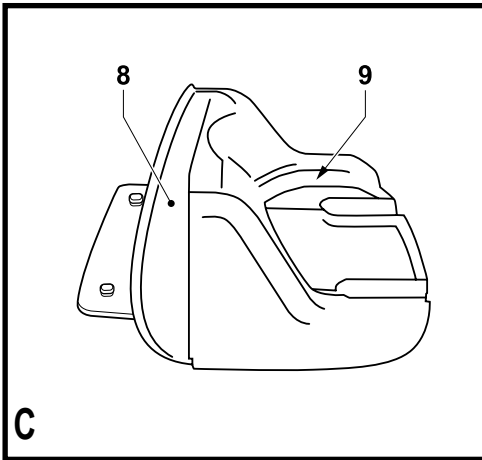
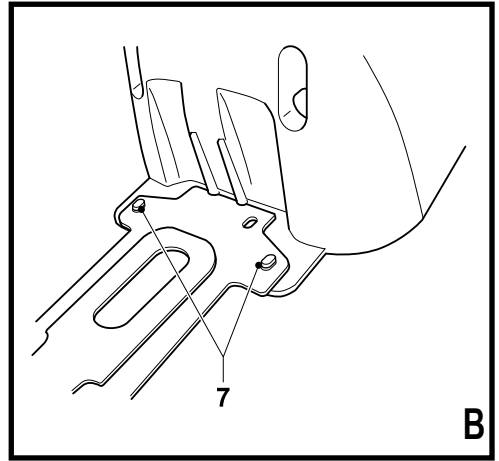
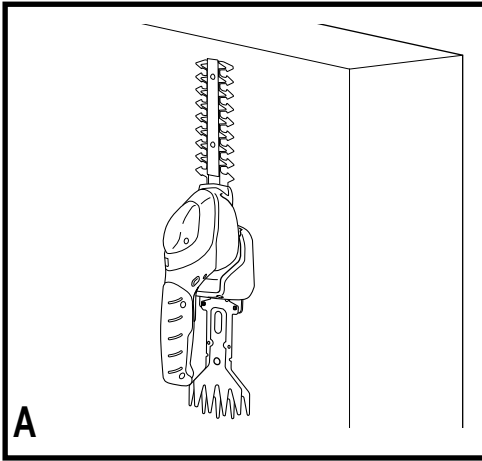
GSL700

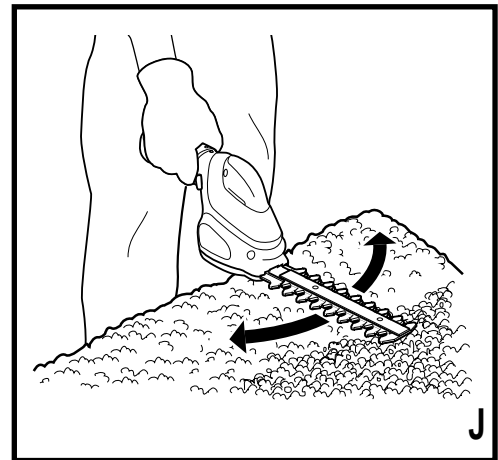
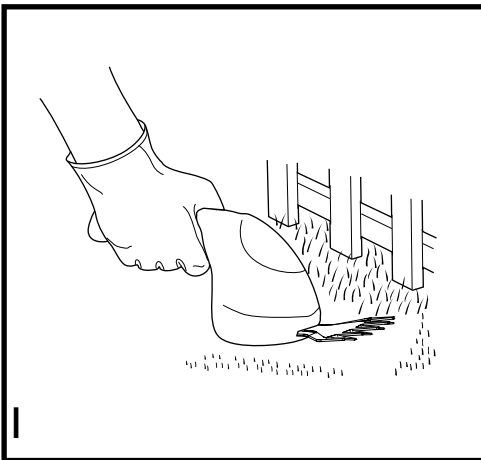
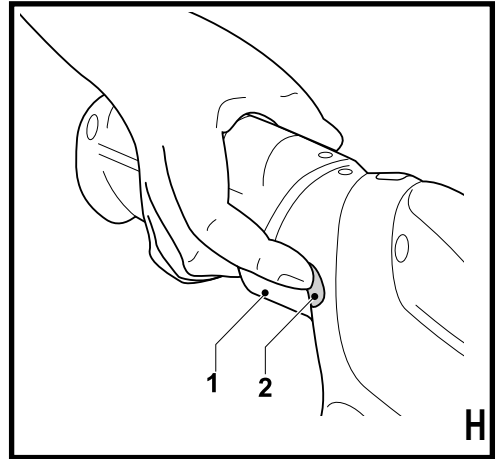
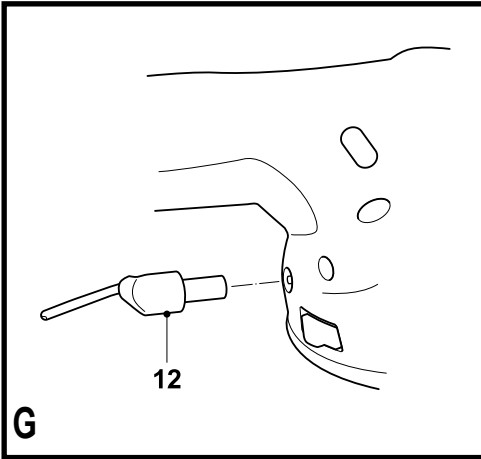
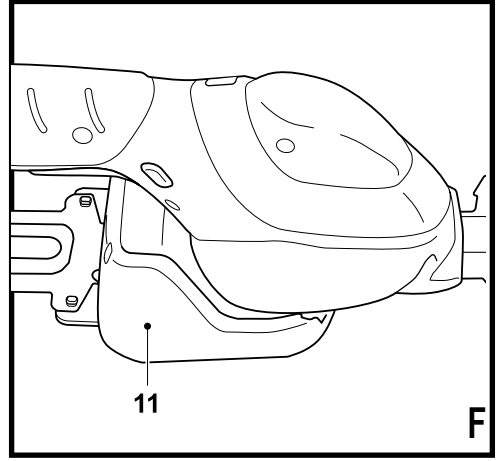
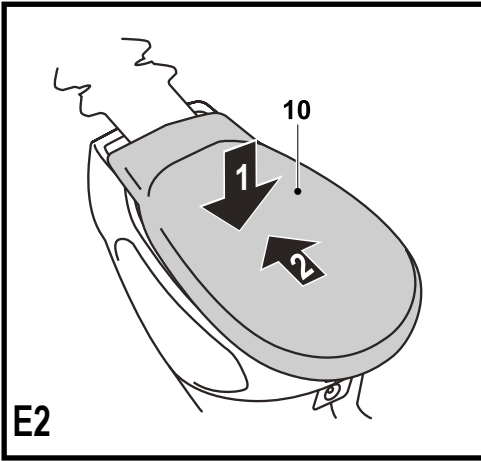
UA

Переклад оригінальних інструкцій

www.blackanddecker.eu

English (original instructions)	5
Українська (переклад оригінальних інструкцій)	15





Intended use

Your BLACK+DECKER™ GSL200, GSL300, GSL360, GSL700 shear/trimmer has been designed for trimming grass, hedges, shrubs and brambles. This tool is intended for consumer use only.

Your BLACK+DECKER charger has been designed for charging BLACK+DECKER batteries of the type supplied with this tool.

Safety instructions

General power tool safety warnings



Warning! Read all safety warnings and all instructions.

Failure to follow the warnings and instructions listed below may result in electric shock, fire and/or serious injury.

Save all warnings and instructions for future reference.

The term "power tool" in all of the warnings listed below refers to your mains operated (corded) power tool or battery operated (cordless) power tool.

1. Work area safety

- a. **Keep work area clean and well lit.** Cluttered or dark areas invite accidents.
- b. **Do not operate power tools in explosive atmospheres, such as in the presence of flammable liquids, gases or dust.** Power tools create sparks which may ignite the dust or fumes.
- c. **Keep children and bystanders away while operating a power tool.**

Distractions can cause you to lose control.

2. Electrical safety

- a. **Power tool plugs must match the outlet. Never modify the plug in any way. Do not use any adapter plugs with earthed (grounded) power tools.** Unmodified plugs and matching outlets will reduce risk of electric shock.
- b. **Avoid body contact with earthed or grounded surfaces such as pipes, radiators, ranges and refrigerators.** There is an increased risk of electric shock if your body is earthed or grounded.
- c. **Do not expose power tools to rain or wet conditions.** Water entering a power tool will increase the risk of electric shock.
- d. **Do not abuse the cord. Never use the cord for carrying, pulling or unplugging the power tool. Keep cord away from heat, oil, sharp edges or moving parts.** Damaged or entangled cords increase the risk of electric shock.
- e. **When operating a power tool outdoors, use an extension cord suitable for outdoor use.** Use of a cord suitable for outdoor use reduces the risk of electric shock.
- f. **If operating a power tool in a damp location is unavoidable, use a residual current device (RCD) protected supply.** Use of an RCD reduces the risk of electric shock.

3. Personal safety

a. **Stay alert, watch what you are doing and use common sense when operating a power tool. Do not use a power tool while you are tired or under the influence of drugs, alcohol or medication.** A moment of inattention while operating power tools may result in serious personal injury.

b. **Use personal protective equipment. Always wear eye protection.** Protective equipment such as dust mask, non-skid safety shoes, hard hat, or hearing protection used for appropriate conditions will reduce personal injuries.

c. **Prevent unintentional starting. Ensure the switch is in the off-position before connecting to power source and/or battery pack, picking up or carrying the tool.** Carrying power tools with your finger on the switch or energising power tools that have the switch on invites accidents.

d. **Remove any adjusting key or wrench before turning the power tool on.** A wrench or a key left attached to a rotating part of the power tool may result in personal injury.

e. **Do not overreach. Keep proper footing and balance at all times.** This enables better control of the power tool in unexpected situations.

f. **Dress properly. Do not wear loose clothing or jewellery. Keep your hair, clothing and gloves away from moving parts.** Loose clothes,

jewellery or long hair can be caught in moving parts.

g. **If devices are provided for the connection of dust extraction and collection facilities, ensure these are connected and properly used.** Use of dust collection can reduce dust-related hazards.

h. **Do not let familiarity gained from frequent use of tools allow you to become complacent and ignore tool safety principles.** A careless action can cause severe injury within a fraction of a second.

4. Power tool use and care

a. **Do not force the power tool. Use the correct power tool for your application.** The correct power tool will do the job better and safer at the rate for which it was designed.

b. **Do not use the power tool if the switch does not turn it on and off.** Any power tool that cannot be controlled with the switch is dangerous and must be repaired.

c. **Disconnect the plug from the power source and/or the battery pack from the power tool before making any adjustments, changing accessories, or storing power tools.** Such preventive safety measures reduce the risk of starting the power tool accidentally.

d. **Store idle power tools out of the reach of children and do not allow persons unfamiliar with the power tool or these instructions to operate**

the power tool. Power tools are dangerous in the hands of untrained users.

- e. **Maintain power tools. Check for misalignment or binding of moving parts, breakage of parts and any other condition that may affect the power tools operation. If damaged, have the power tool repaired before use.** Many accidents are caused by poorly maintained power tools.
- f. **Keep cutting tools sharp and clean.** Properly maintained cutting tools with sharp cutting edges are less likely to bind and are easier to control.
- g. **Use the power tool, accessories and tool bits etc. in accordance with these instructions, taking into account the working conditions and the work to be performed.** Use of the power tool for operations different from those intended could result in a hazardous situation.
- h. **Keep handles and grasping surfaces dry, clean and free from oil and grease.** Slippery handles and grasping surfaces do not allow for safe handling and control of the tool in unexpected situations.

5. Battery tool use and care

- a. **Recharge only with the charger specified by the manufacturer.** A charger that is suitable for one type of battery pack may create a risk of fire when used with another battery pack.
- b. **Use power tools only with specifically designated battery**

packs. Use of any other battery packs may create a risk of injury and fire.

- c. **When battery pack is not in use, keep it away from other metal objects, like paper clips, coins, keys, nails, screws, or other small metal objects, that can make a connection from one terminal to another.** Shorting the battery terminals together may cause burns or a fire.
- d. **Under abusive conditions, liquid may be ejected from the battery; avoid contact. If contact accidentally occurs, flush with water. If liquid contacts eyes, additionally seek medical help.** Liquid ejected from the battery may cause irritation or burns.
- e. **Do not use a battery pack or tool that is damaged or modified.** Damaged or modified batteries may exhibit unpredictable behaviour resulting in fire, explosion or risk of injury.
- f. **Do not expose a battery pack or tool to fire or excessive temperature.** Exposure to fire or temperature above 130 °C may cause explosion.
- g. **Follow all charging instructions and do not charge the battery pack or tool outside the temperature range specified in the instructions.** Charging improperly or at temperatures outside the specified range may damage the battery and increase the risk of fire.

6. Service

- a. **Have your power tool serviced by a qualified repair person using only identical replacement parts.** This will ensure that the safety of the power tool is maintained.
- b. **Never service damaged battery packs.** Service of battery packs should only be performed by the manufacturer or authorised service providers.

Additional power tool safety warnings



Warning! Additional safety warnings for hedge trimmers

- ◆ **Keep all parts of the body away from the cutter blade. Do not remove cut material or hold material to be cut when blades are moving. Make sure the switch is off when clearing jammed material.** A moment of inattention while operating the hedge trimmer may result in serious personal injury.
- ◆ **Carry the hedge trimmer by the handle with the cutter blade stopped. When transporting or storing the hedge trimmer always fit the cutting device cover.** Proper handling of the hedge trimmer will reduce possible personal injury from the cutter blades.
- ◆ **Keep cable away from cutting area.** During operation the cable may be hidden in shrubs and can be accidentally cut by the blade.
- ◆ **Hold the power tool by insulated gripping surfaces only, because the cutter blade may contact hidden wiring.** Cutter blades contacting a "live" wire may make exposed metal parts of the power tool "live" and could give the operator an electric shock.
- ◆ The intended use is described in this instruction manual. The use of any accessory or attachment or performance of any operation with this tool other than those recommended in this instruction manual may present a risk of personal injury and/or damage to property.
- ◆ If you have not used a hedge trimmer before, preferably seek practical instruction by an experienced user in addition to studying this manual.
- ◆ Never touch the blades while the tool is running.
- ◆ Never attempt to force the blades to come to a standstill.
- ◆ Do not put the tool down until the blades have come to a complete standstill.
- ◆ Regularly check the blades for damage and wear. Do not use the tool when the blades are damaged.
- ◆ Take care to avoid hard objects (e.g. metal wire, railings) when trimming. Should you accidentally hit any such object, immediately switch the tool off and check for any damage.
- ◆ Should the tool start to vibrate abnormally, immediately switch it off and check for any damage.

- ◆ If the tool stalls, immediately switch it off.
- ◆ After use, place the blade sheath supplied over the blades. Store the tool, making sure that the blade is not exposed.
- ◆ Always ensure that all guards are fitted when using the tool. Never attempt to use an incomplete tool or a tool with unauthorised modifications.
- ◆ Never allow children to use the tool.
- ◆ Be aware of falling debris when cutting the higher slides of a hedge.

Additional power tool safety warnings



Warning! Additional safety warnings for shears

- ◆ Never allow people unfamiliar with these instructions or children to use the machine. Local regulations can restrict the age of the operator.
- ◆ Keep in mind that the operator or user is responsible for accidents or hazards occurring to other people or their property.
- ◆ Never operate the machine while people, especially children, or pets are nearby.
- ◆ Use the machine only in daylight or good artificial light.
- ◆ Always ensure that the ventilation openings are kept clear of debris.
- ◆ Use only the manufacturer's recommended replacement parts and accessories.

- ◆ Inspect and maintain the machine regularly. Have the machine repaired only by an authorized repairer.

Safety of others

- ◆ This appliance can be used by children aged from 8 years and above and persons with reduced physical, sensory or mental capabilities or lack of experience and knowledge if they have been given supervision or instruction concerning use of the appliance in a safe way and understand the hazards involved.
- ◆ Children shall not play with the appliance. Cleaning and user maintenance shall not be made by children without supervision.

Vibration

The declared vibration emission values stated in the technical data and the declaration of conformity have been measured in accordance with a standard test method provided by EN 60745 and may be used for comparing one tool with another. The declared vibration emission value may also be used in a preliminary assessment of exposure.

Warning! The vibration emission value during actual use of the power tool can differ from the declared value depending on the ways in which the tool is used. The vibration level may increase above the level stated.

When assessing vibration exposure to determine safety measures required by 2002/44/EC to protect persons regularly using power tools in employment, an estimation of vibration exposure should consider, the actual conditions of use and the way the tool is used, including taking account of all parts of the operating cycle such as the times when the tool is switched off and when it is running idle in addition to the trigger time.

Labels on tool

The following pictograms along with the date code are shown on the tool:



Warning! To reduce the risk of injury, the user must read the instruction manual.



Wear safety glasses or goggles when operating this tool.



Do not expose the tool to rain or high humidity.



Beware of sharp blades. Blades continue to move after the motor is switched off.



Beware of flying objects. Keep bystanders away.



Class III appliance.



Directive 2000/14/EC guaranteed sound power.

Additional safety instructions for batteries and chargers

Batteries

- ◆ Never attempt to open for any reason.
- ◆ Do not expose the battery to water.
- ◆ Do not store in locations where the temperature may exceed 40 °C.
- ◆ Charge only at ambient temperatures between 10 °C and 40 °C.
- ◆ Charge only using the charger provided with the appliance/tool. Using the wrong charger could result in an electric shock or overheating of the battery.
- ◆ When disposing of batteries, follow the instructions given in the section "Protecting the environment".
- ◆ Do not damage/deform the battery either by puncture or impact, as this may create a risk of injury and fire.
- ◆ Do not charge damaged batteries.
- ◆ Under extreme conditions, battery leakage may occur. When you notice liquid on the batteries carefully wipe the liquid off using a cloth. Avoid skin contact.
- ◆ In case of skin or eye contact, follow the instructions below.

Warning! The battery fluid may cause personal injury or damage to property. In case of skin contact, immediately rinse with water. If redness, pain or irritation occurs seek medical attention. In case of eye contact, rinse immediately with clean water and seek medical attention.

Chargers

Your charger has been designed for a specific voltage. Always check that the mains voltage corresponds to the voltage on the rating plate.

Warning! Never attempt to replace the charger unit with a regular mains plug.

- ◆ Use your BLACK+DECKER charger only to charge the battery in the tool with which it was supplied. Other batteries could burst, causing personal injury and damage.
- ◆ Never attempt to charge non-rechargeable batteries.
- ◆ If the supply cord is damaged, it must be replaced by the manufacturer or an authorised BLACK+DECKER Service Centre in order to avoid a hazard.
- ◆ Do not expose the charger to water.
- ◆ Do not open the charger.
- ◆ Do not probe the charger.
- ◆ The appliance/tool/battery must be placed in a well ventilated area when charging.



The charger is intended for indoor use only.



Read the instruction manual before use.

Electrical safety



Your charger is double insulated; therefore no earth wire is required. Always check that the mains voltage corresponds to the voltage on the rating plate.

- ◆ If the supply cord is damaged, it must be replaced by the manufacturer or an authorised BLACK+DECKER Service Centre in order to avoid a hazard.
- ◆ **Warning!** Never attempt to replace the charger unit with a regular mains plug.

Features

1. On/off switch
2. Lock-off button
3. Blade release button
4. Shear blade (GSL200/GSL360/GSL700)
5. Trim blade (GSL300/GSL360/GSL700)
6. Charging indicator

Assembly

Warning! Avoid accidentally switching the tool on during assembly.

Fitting the wall mount to the wall (fig. A & B)

The wall mount can be fitted to the wall to provide a convenient storage and charging point for the tool.

- ◆ Drive the screws in the wall through the holes in the crevices of wall mount.
- ◆ Place the tool on the wall mount.
- ◆ Plug in the charger making sure the charging indicator (6) lights up (fig. A).
- ◆ If required, use the two pegs (7) below the wall mount to store the spare blade (fig. B).

Warning! Avoid damaging the power cord when mounting the wall mount to the wall.

Removing the charger plug from the wall mount (fig. C)

The tool can be charged without using the wall mount. The charger plug can be connected to the tool directly.

- ◆ Remove the screws from the back of the wall mount.
- ◆ Slide the back part (8) from the front part (9) to open the wall mount.
- ◆ Remove the charger plug from the wall mount.

Fitting and removing the blade (fig. D & E)

The shear blade (4) has been designed for trimming grass and weeds. The trim blade (5) has been designed for trimming hedges and shrubs.

- ◆ Remove the blade cover.
- ◆ Push and hold the blade release button (3) in the direction of the arrow (fig. D1).
- ◆ Slide the blade cover (10) backward and lift off (fig. D2).

- ◆ Lower the blade onto the pins.
- ◆ While holding the blade onto the pins (fig. E1), replace the blade cover (10) and slide it forward (fig. E2).

Note: No alignment of blade with drive pin is required and operation of the blade cover release button is not required when re-fitting the blade cover.

Use

Warning! Let the tool work at its own pace. Do not overload.

Charging the battery

The battery needs to be charged before first use and whenever it fails to produce sufficient power on jobs that were easily done before. When charging the battery for the first time, or after prolonged storage, it will only accept an 80% charge. After several charge and discharge cycles, the battery will attain full capacity. The battery may become warm while charging; this is normal and does not indicate a problem.

Warning! Do not charge the battery at ambient temperatures below 10 °C or above 40 °C. Recommended charging temperature: approx. 24 °C.

The tool can be left connected to the charger indefinitely. To maximise the lifetime of the battery, it is recommended to keep the battery connected to the charger whenever the tool is not in use. When the battery is full, the power consumption of the charger is negligible.

Charging with the wall mount (fig. F)

- ◆ Place the tool on the wall mount (11).
- ◆ Plug in the charger.

Charging with the charger plug (fig. G)

The charger plug is designed with lock outs to prevent the use of an incorrect charger.

- ◆ Insert the charger plug (12) into the charger connector at the rear of the tool.
- ◆ Plug in the charger.

GSL700 - Charging the battery

- ◆ Charge the battery.

When the battery is charging the charging indicator (6) flashes. The charging indicator will stop flashing when the charging is complete.

GSL200/GSL300/GSL360 - Charging the battery

- ◆ Charge the battery.

When the battery is charging the charging indicator (6) flashes. The charging indicator will stop flashing when the charging is complete. The charging indicator flashes quickly to indicate a charging problem. When a charging problem occurs, connect the tool directly to the charger plug by

removing the wall mount. If the charging problem still occurs, the charger must be disconnected from the mains supply and taken to an authorised service centre for repair.

Switching on and off (fig. H)

Switching on

- ◆ Push and hold the lock button (2) to the right or to the left and then squeeze the on/off switch (1).
- ◆ Release the lock-off button.

Switching off

- ◆ Release the on/off switch (1).

Warning! Never attempt to lock the switch in the on position.

Hints for optimum use (fig. I & J)

- ◆ Spray the blade with a light coating of light general use oil before first use and whenever the blades begin to look dry.

Trimming grass

- ◆ In order to achieve optimum cutting results, only cut dry grass.
- ◆ Hold the tool as shown in fig. I. Keep your other hand well away from the blade. Maintain a stable working position so that you do not slip. Do not overreach.
- ◆ When cutting long grass, work in stages from the top. Take small cuts.
- ◆ Keep the tool away from hard objects and delicate plants.
- ◆ If the tool starts running slowly, reduce the load.
- ◆ To make a closer cut, slightly tilt the tool.

Trimming hedges

- ◆ Slightly tilt the tool (up to 15° relative to the line of cut) so that the blade tips point slightly towards the hedge (fig. J). This will cause the blades to cut more effectively.
- ◆ Start by trimming the top of the hedge. Hold the tool at the desired angle and move it steadily along the line of cut. The double-sided blade allows you to cut in either direction.
- ◆ In order to obtain a very straight cut, stretch a piece of string along the length of the hedge at the desired height. Use the string as a guideline, cutting just above it.
- ◆ In order to obtain flat sides, cut upwards with the growth. Younger stems move outwards when the blade cuts downwards, causing shallow patches in the hedge.
- ◆ Take care to avoid any foreign objects. Especially avoid hard objects such as metal wire and railings, as these could damage the blades.
- ◆ Regularly oil the blades.

Guidelines for trimming (UK & Ireland)

- ◆ Trim hedges and shrubs with seasonal leaves (new leaves every year) in June and October.
- ◆ Trim evergreens in April and August.
- ◆ Trim conifers and other fast growing shrubs every six weeks from May until October.

Guidelines for trimming (Australia & New Zealand)

- ◆ Trim hedges and shrubs with seasonal leaves (new leaves every year) in December and March.
- ◆ Trim evergreens in September and February.
- ◆ Trim conifers and other fast growing shrubs every six weeks from October until March.

Maintenance

Your BLACK+DECKER corded/cordless appliance/tool has been designed to operate over a long period of time with a minimum of maintenance. Continuous satisfactory operation depends upon proper tool care and regular cleaning.

Warning! Before performing any maintenance on corded/cordless power tools:

- ◆ Switch off and unplug the appliance/tool.
- ◆ Or switch off and remove the battery from the appliance/tool if the appliance/tool has a separate battery pack.
- ◆ Or run the battery down completely if it is integral and then switch off.
- ◆ Unplug the charger before cleaning it. Your charger does not require any maintenance apart from regular cleaning.
- ◆ Regularly clean the ventilation slots in your appliance/tool/charger using a soft brush or dry cloth.
- ◆ Regularly clean the motor housing using a damp cloth. Do not use any abrasive or solvent-based cleaner.
- ◆ Regularly open the chuck and tap it to remove any dust from the interior (when fitted).
- ◆ After use, carefully clean the blades. After cleaning, apply a film of light machine oil to prevent the blades from rusting.

Storage

When the tool will not be used for several months, ideally leave the battery connected to the charger. Otherwise proceed as follows:

- ◆ Fully charge the battery.
- ◆ Store the tool in a secure and dry location. The storage temperature must always remain in the range of +10 °C to +40 °C.
- ◆ Before using the tool after prolonged storage, fully charge the battery again.

Protecting the environment



Separate collection. Products and batteries marked with this symbol must not be disposed of with normal household waste.

Products and batteries contain materials that can be recovered or recycled reducing the demand for raw materials. Please recycle electrical products and batteries according to local provisions. Further information is available at www.2helpU.com

Technical data

		GSL200 (H1)	GSL300 (H1)
Voltage	V _{DC}	3.6	3.6
Blade strokes (no load)	min ⁻¹	850	850
Blade length (shear)	cm	10	-
Blade gap (shear)	mm	23	-
Blade length (trimmer)	cm	-	15
Blade gap (trimmer)	mm	-	8
Blade brake time	s	< 1	< 1
Weight	kg	0.65	0.65

		GSL360 (H1)	GSL700 (H1)
Voltage	V _{DC}	3.6	7.0
Blade strokes (no load)	min ⁻¹	850	850
Blade length (shear)	cm	10	10
Blade gap (shear)	mm	23	23
Blade length (trimmer)	cm	15	15
Blade gap (trimmer)	mm	8	8
Blade brake time	s	< 1	< 1
Weight	kg	0.65	0.65

Charger		905450xx	905527xx 9062xxxx
Input voltage	V _{AC}	230	230
Output voltage	V _{DC}	9	10
Current	mA	100	120
Approx. charging time	h	19	14
Weight	kg	0.15	0.15

Level of sound pressure according to EN 60745:Sound pressure (L_{pA}) 66 dB(A), uncertainty (K) 3 dB(A)Sound power (L_{WA}) 77 dB(A), uncertainty (K) 3 dB(A)**Vibration total values (triax vector sum) according to EN 60745:** (a_w) 3.1 m/s², uncertainty (K) 1.5 m/s²**MACHINERY DIRECTIVE
OUTDOOR NOISE DIRECTIVE**

GSL200, GSL300, GSL360, GSL700 - Shear/Trimmer

Black & Decker declares that these products described under "technical data" are in compliance with:

EN60745-1:2009+A11:2010, EN60745-2-15:2009+A1:2010

2000/14/EC, Trimmer, Annex V

Level of acoustic power according to (5) 2000/14/EC
(Article 13): L_{WA} (measured sound power) 77 dB(A) L_{WA} (guaranteed sound power) 87 dB(A)These products also comply with Directive
2006/42/EC, 2014/30/EU and 2011/65/EU.For more information, please contact Black & Decker at the
following address or refer to the back of the manual.The undersigned is responsible for compilation of the technical
file and makes this declaration on behalf of Black & Decker.Ray Laverick
Director of Engineering
Black & Decker Europe, 210 Bath Road, Slough,
Berkshire, SL1 3YD
United Kingdom
27/02/2019To claim on the guarantee, the claim must be in accordance with Black&Decker Terms and Conditions and you will need to submit proof of purchase to the seller or an authorised repair agent. Terms and conditions of the Black&Decker 2 year guarantee and the location of your nearest authorised repair agent can be obtained on the Internet at www.2helpU.com, or by contacting your local Black & Decker office at the address indicated in this manual.Please visit our website www.blackanddecker.co.uk to register your new Black & Decker product and receive updates on new products and special offers.**Guarantee**

Black & Decker is confident of the quality of its products and offers consumers a 24 month guarantee from the date of purchase. This guarantee is in addition to and in no way prejudices your statutory rights. The guarantee is valid within the territories of the Member States of the European Union and the European Free Trade Area.

Сфера застосування

Ножиці/тример BLACK+DECKER™ GSL200, GSL300, GSL360, GSL700 призначений для підстригання трави, живоплотів, чагарників та кущів. Цей інструмент призначений лише для побутового використання.

Ваш зарядний пристрій виробництва компанії BLACK+DECKER призначений для заряджання батареї BLACK+DECKER лише того типу, що надається з інструментом.

Інструкції з техніки безпеки

Загальні правила безпеки для електричного інструмента



Увага! Прочитайте всі попередження та інструкції. Невиконання наведених нижче попереджень та інструкцій може призвести до ураження електричним струмом, пожежі та/або серйозних травм.

Збережіть усі попередження та інструкції для використання в майбутньому.

Термін «електричний інструмент» у всіх попередженнях, перелічених нижче, стосується використовуваних вами інструментів, що працюють від мережі енергоживлення (з використанням електричного кабелю) або акумуляторів (без кабелю).

1. Безпека робочої зони

- a. **Тримайте робочу зону чистою та добре освітленою.** Невпорядковані й темні робочі зони збільшують імовірність нещасного випадку.
- b. **Не використовуйте електричні інструменти у вибухонебезпечній**

атмосфері, наприклад у присутності займистих рідин, газів та пилу. Електричні інструменти створюють іскри, що можуть запалити пил або випаровування.

- c. **Тримайте дітей та сторонніх подалі під час використання інструмента.** Відвернення уваги може призвести до втрати контролю.

2. Електрична безпека

- a. **Вилка електричного інструмента має відповідати розетці. Ніколи ні в який спосіб не змінюйте вилку. Не використовуйте адаптери із заземленими електричними інструментами.** Немодифіковані вилки та розетки, що відповідають їм, зменшують ризик ураження електричним струмом.
- b. **Уникайте контакту тіла із заземленими поверхнями, такими як труби, радіатори, плити та холодильники.** Якщо ваше тіло заземлене, збільшується ризик ураження електричним струмом.
- c. **Не залишайте електричні інструменти під дощем або за умов підвищеної вологості.** Вода, що потрапляє в електричний інструмент, підвищує ризик ураження електричним струмом.
- d. **Не використовуйте кабель живлення не за призначенням. Ніколи не використовуйте шнур для перенесення, витягування та відключення від розетки**

живлення електричного інструмента. Тримайте шнур подалі від високих температур, мастила, гострих предметів та рухомих деталей. Пошкоджені або перекручені шнури підвищують ризик ураження електричним струмом.

- e. Під час експлуатації електричного інструмента на вулиці використовуйте подовжувальний шнур, що призначений для використання поза приміщеннями. Використання шнура, призначеного для використання поза приміщенням, знижує ризик ураження електричним струмом.
- f. Якщо неможливо уникнути використання електричного інструмента за умов підвищеної вологості, використовуйте джерело живлення, захищене пристроєм з керуванням диференційним струмом (RCD). Використання RCD знижує ризик ураження електричним струмом.

3. Особиста безпека

- a. Будьте уважні, дивіться, що ви робите, та будьте розсудливі, працюючи з електричним інструментом. Не використовуйте електричний інструмент, коли ви втомлені чи перебуваєте під впливом наркотичних речовин, алкоголю або ліків. Втрата уваги під час роботи з електричними

інструментами може призвести до серйозних травм.

- b. Використовуйте особисті засоби безпеки. Завжди використовуйте засоби захисту очей. Засоби безпеки, такі як протипилова маска, неслизькі безпечні черевики, захисний шолом і засоби захисту слухового апарату, використані для відповідних умов, зменшують імовірність особистих травм.
- c. Уникайте випадкового запуску. Переконайтесь у тому, що вимикач знаходиться в позиції Вимк. перед підключенням до джерела живлення та/або акумулятора, переміщенням або перенесенням пристрою. Якщо ви переносите інструмент, тримаючи палець на вимикачі, або підключаєте живлення з перемикачем у позиції Увімк., це може призвести до нещасного випадку.
- d. Зніміть усі налаштувальні ключі або гайкові ключі перед вмиканням електричного інструмента. Гайковий ключ, що залишився прикріпленим до якоїсь деталі електричного інструмента, що обертається, може призвести до травм.
- e. Не перенапружуйтеся. Завжди тримайте правильну постановку ніг і рівновагу. Це дасть вам змогу краще контролювати інструмент у непередбачуваних ситуаціях.
- f. Вдягайте відповідним чином. Не надягайте вільний одяг або

прикраси. Тримайте ваше волосся, одяг та рукавички подалі від рухомих деталей. Вільний одяг, прикраси або довге волосся можуть зачепитися за рухомі деталі.

- g. Якщо передбачено пристрої для підключення до засобів виділення та збирання пилу, переконайтеся, що вони правильно підключені та використовуються.** Використання таких пристроїв зменшує ризик виникнення небезпечних ситуацій, що пов'язані з потраплянням пилу.
- h. Навіть якщо ви добре знаєте інструмент і часто його використовуйте, не розслабляйтесь та не забувайте про принципи техніки безпеки.** Необережні дії за моментально можуть стати причиною тяжких травм.

4. Використання електричного інструмента та догляд за ним

- a. Не застосовуйте надмірні зусилля під час роботи з інструментом.** Використовуйте відповідний електричний інструмент для вашого застосування. Правильно обраний інструмент виконає завдання краще та безпечніше за умов, для яких він був розроблений.
- b. Не використовуйте інструмент, вмикач якого не вмикає та не вимикає його.** Будь-який електричний інструмент, який не

може керуватися вмикачем, є небезпечним і має бути відремонтований.

- c. Відключіть вилку від джерела живлення та/або зніміть акумуляторний блок з електричного інструмента перед тим, як робити будь-які налаштування, змінювати приладдя чи зберігати електричні інструменти.** Ці профілактичні заходи зменшують ризик випадкового запуску електричного інструмента.
- d. Зберігайте вимкнені електричні інструменти в недоступному для дітей місці та не дозволяйте особам, що не знайомі з електричним інструментом або цими інструкціями, використовувати електричний інструмент.** Електричні інструменти є небезпечними, якщо вони використовуються некваліфікованими користувачами.
- e. Технічне обслуговування електричних інструментів.** Перевіряйте на відсутність вирівнювання або заїдання рухомих деталей, наявність ушкоджених частин та інших умов, що можуть впливати на роботу електричного інструмента. Якщо є ушкодження, відремонтуйте електричний інструмент перед використанням.

Багато нещасних випадків є результатом того, що інструмент не пройшов відповідного технічного обслуговування.

- f. **Тримайте різальні інструменти гострими та чистими.** Правильно доглянуті різальні інструменти з гострими різальними кромками мають меншу ймовірність заїдання, та ними легше керувати.
- g. **Використовуйте електричний інструмент, приладдя, деталі інструмента тощо відповідно до цих інструкцій, зважаючи на умови використання та роботу, яка має бути виконана.** Використання електричних інструментів не за призначенням може призвести до виникнення небезпечних ситуацій.
- h. **Усі ручки та поверхні для тримання інструмента мають бути сухими та без залишків мастила.** Слизькі ручки та поверхні для тримання не дають можливості безпечно працювати та контролювати інструмент у несподіваних ситуаціях.

5. Використання та догляд за інструментом, що працює від акумулятора

- a. **Заряджайте інструмент лише за допомогою зарядного пристрою, указанного виробником.** Зарядний пристрій, що може використовуватися з одним типом акумуляторів, може призвести до

пожежі в разі використання з іншим акумулятором.

- b. **Використовуйте електричні інструменти лише зі спеціально розробленим акумулятором.** Використання інших акумуляторів може призвести до травм або пожежі.
- c. **Коли акумулятори не використовуються, зберігайте їх подалі від металевих предметів, таких як скріпки, монети, ключі, цвяхи, гвинти або інші невеликі предмети, що можуть призвести до замикання двох контактів.** Коротке замикання контактів акумулятора може призвести до вибуху або пожежі.
- d. **За невідповідних умов використання рідина може витікати з акумулятора, уникайте контакту з цією рідиною.** Якщо стався випадковий контакт, промийте відповідне місце водою. Якщо рідина потрапила в очі, необхідно звернутися до лікаря. Рідина, що витікає з акумулятора, може призвести до подразнень та опіків.
- e. **Не використовуйте акумулятор або інструмент, який пошкоджено або змінено.** Пошкоджені або змінені акумулятори можуть поводитися непередбачувано, що може спричинити пожежу, вибух або ризик травми.

f. Не піддавайте акумулятор або інструмент впливу вогню або надмірних температур. Вплив вогню або температури вище 130 °C може спричинити вибух.

g. Виконуйте всі інструкції щодо заряджання та не заряджайте акумулятор або інструмент за межами температурного діапазону, указанного в інструкціях. Заряджання невідповідним чином або за температури поза вказаним діапазоном може пошкодити акумулятор та підвищити ризик пожежі.

6. Обслуговування

a. Передавайте ваш електричний інструмент для обслуговування кваліфікованим спеціалістам з ремонту та використовуйте тільки ідентичні замінні деталі. Це забезпечить безпеку електричного пристрою, що обслуговується.

b. Не обслуговуйте пошкоджені акумулятори самостійно. Обслуговування акумуляторів мають виконувати представники виробника або працівники офіційного сервісного центру.

Додаткові правила безпеки для електричного інструмента



Увага! Додаткові інструкції з техніки безпеки для кущорізів.

- ♦ Тримайте всі частини тіла подалі від різального леза. Не видаляйте обрізані гілки та не тримайте гілки, що підлягають обрізанню, коли ножі рухаються. При очищенні застряглих гілок не забудьте вимкнути пристрій. Втрата уваги під час роботи з кущорізом може призвести до серйозних травм.
- ♦ Переносьте кущоріз за ручку та із зупиненими різальними лезами. Під час транспортування або зберігання кущоріза завжди використовуйте кришку для різального пристрою. Відповідний догляд за кущорізом знизить імовірність травм лезами.
- ♦ Тримайте кабелі подалі від зони різання. Під час роботи кабель може сховатися в кущах і попасти під ніж.
- ♦ Тримайте електричний інструмент лише за ізольовану поверхню ручки, тому що різальне лезо може торкнутися схованих електричних кабелів. При контакті різального леза з дротом під напругою може з'явитися напруга в металевих деталях електричного інструмента, що може призвести до ураження оператора електричним струмом.
- ♦ У цьому посібнику з експлуатації описане використання за призначенням. Використання будь-якого приладдя чи додаткового обладнання або виконання

- будь-яких дій з інструментом, що суперечать рекомендаціям цього посібника, може призвести до ризику травмування людини та/або пошкодження майна.
- ◆ Якщо раніше вам не доводилося користуватися кущорізом, бажано отримати практичну консультацію досвідченого користувача, на додачу до ознайомлення з цим посібником.
 - ◆ У жодному разі не торкайтеся ножів, коли інструмент увімкнений.
 - ◆ У жодному разі не намагайтесь зупинити ножі силою.
 - ◆ У жодному разі не кладіть інструмент, доки ножі повністю не зупиняться.
 - ◆ Регулярно перевіряйте ножі на ознаки пошкодження чи зносу. Не використовуйте інструмент, якщо леза пошкоджені.
 - ◆ Будьте уважні, щоб не торкатись твердих предметів (наприклад, металевого проводу, огорожі) при підрізанні. Якщо ви випадково торкнетесь такого предмету, негайно вимкніть інструмент та перевірте його на наявність пошкоджень.
 - ◆ Якщо інструмент починає занадто сильно вібрувати, негайно вимкніть його і перевірте на наявність пошкоджень.
 - ◆ Якщо інструмент заїло, негайно його вимкніть.
 - ◆ Після використання надягайте на ножі чохол, що входить до комплекту постачання. Під час зберігання інструмента переконайтесь, що ніж закрито.
 - ◆ Завжди перевіряйте, чи всі кожухи встановлені при використанні інструмента. Ніколи не використовуйте неповністю зібраний інструмент або інструмент, що був модифікований не в авторизованому сервісному центрі.
 - ◆ Ніколи не дозволяйте дітям використовувати інструмент.
 - ◆ Слідкуйте, куди падають обрізки, коли ви підрізаєте верхні шари живоплоту.

Додаткові правила безпеки для електричного інструмента



Увага! Додаткові попередження з техніки безпеки для ножиць.

- ◆ Ніколи не дозволяйте людям, що не ознайомилися з цими інструкціями, або дітям використовувати пристрій. За місцевим законодавством, вік оператора пристрою може бути обмежений.
- ◆ Пам'ятайте, що оператор або користувач несе відповідальність за нещасні випадки та небезпеку щодо інших людей або їхнього майна.
- ◆ У жодному разі не використовуйте пристрій, коли поряд знаходяться інші люди, особливо діти, або домашні тварини.

- ◆ Використовуйте цей пристрій лише вдень або за умови доброго штучного освітлення.
- ◆ Стежте за тим, щоб вентиляційні отвори були чистими й не містили обрізків.
- ◆ Використовуйте лише рекомендовані виробником змінні деталі та приладдя.
- ◆ Проводьте регулярний огляд і технічне обслуговування пристрою. Передавайте пристрій для ремонту лише в авторизований сервісний центр.

Безпека інших

- ◆ Цей пристрій можуть використовувати діти віком від 8 років та особи зі зниженими фізичними, сенсорними та розумовими можливостями або з недостатнім досвідом та знаннями, якщо вони працюють під наглядом або пройшли інструктаж щодо безпечного використання цього пристрою й усвідомлюють можливу небезпеку.
- ◆ Не дозволяйте дітям грати з пристроєм. Не дозволяйте дітям очищувати пристрій та виконувати його технічне обслуговування.

Вібрація

Значення вібрації, зазначені в технічних даних та в декларації про відповідність, виміряні з дотриманням стандартних методів тестування, наданих в EN 60745, та їх можна

використовувати для порівняння одного інструмента з іншим. Задекларовані значення вібрації можна також використовувати для попереднього оцінювання впливу вібрації.

Увага! Значення вібрації під час використання інструмента може відрізнятися від задекларованого залежно від способів використання інструмента. Рівень вібрації може перевищувати вказані значення.

Оцінюючи вплив вібрації для визначення заходів безпеки за вимогами 2002/44/ЕС, щоб захистити людей, які регулярно використовують інструменти в роботі, необхідно враховувати реальні умови та способи використання інструмента, у тому числі всі періоди робочого циклу, наприклад час, коли інструмент вимкнено та коли він працює в режимі холостого ходу, а також час, потрібний для запуску інструмента.

Написи на інструменті

На інструменті нанесені подані нижче позначки та код дати.



Увага! Щоб зменшити ризик травм, користувач повинен прочитати посібник з експлуатації.



Використовуйте захисні окуляри під час роботи з інструментом.



Не залишайте інструмент під дощем та за умов підвищеної вологості.



Пам'ятайте про те, що леза є гострими. Ножі продовжують обертатися після вимкнення двигуна.



Бережіться об'єктів, які летять. Сторонні люди повинні знаходитись подалі від інструмента.



Пристрій класу III.



У Директиві 2000/14/ЕС зазначена гарантована звукова потужність.

Додаткові інструкції з техніки безпеки для батарей та зарядних пристроїв

Батареї

- ◆ Ніколи не намагайтесь відкривати батарею.
- ◆ Не занурюйте батарею у воду.
- ◆ Не зберігайте в місцях, де температура може перевищувати 40 °C.

- ◆ Заряджайте лише за температури навколишнього середовища між 10 °C та 40 °C.
- ◆ Заряджайте лише за допомогою зарядного пристрою, що надається з пристроєм/інструментом. Використання невідповідного зарядного пристрою може призвести до ураження електричним струмом або перегрівання батареї.
- ◆ У процесі утилізації батарей дотримуйтесь інструкцій, наведених у розділі «Захист навколишнього середовища».
- ◆ Не допускайте пошкодження/деформації акумулятора внаслідок проколювання чи удару, оскільки це може спричинити ризик травмування та пожежі.
- ◆ Не заряджайте пошкоджені батареї.
- ◆ В екстремальних умовах може статися протікання батарей. Якщо ви помітите на батареї рідину, обережно витріть її ганчіркою. Уникайте контакту зі шкірою.
- ◆ У випадку контакту зі шкірою чи очима виконайте інструкції, що наводяться нижче.

Увага! Рідина батареї здатна спричинити тілесне ураження або пошкодження майна. У випадку потрапляння на шкіру негайно промийте її водою. У разі виникнення почервоніння, болю чи подразнення зверніться до лікаря. У випадку потрапляння на слизову очей негайно

промийте великою кількістю чистої води та зверніться по медичну допомогу.

Зарядні пристрої

Зарядний пристрій розроблено для певного значення напруги. Завжди перевіряйте відповідність джерела живлення напрузі, що вказана на таблиці з паспортними даними.

Увага! Ніколи не намагайтесь замінити зарядний пристрій звичайним мережним штепселем.

- ◆ Використовуйте зарядний пристрій BLACK+DECKER для заряджання батарей лише того інструмента, з яким він був у комплекті. Інші батареї можуть вибухнути, спричинивши травми та пошкодження.
- ◆ У жодному разі не намагайтесь заряджати батареї, що не підлягають заряджанню.
- ◆ Якщо шнур живлення пошкоджений, його необхідно замінити у виробника або в авторизованому сервісному центрі компанії BLACK+DECKER для уникнення небезпеки.
- ◆ Не занурюйте зарядний пристрій у воду.
- ◆ Не відкривайте корпус зарядного пристрою.
- ◆ Не розбирайте зарядний пристрій.
- ◆ Під час заряджання пристрій/інструмент/акумулятор має знаходитись у добре провітрюваному місці.



Зарядний пристрій призначений лише для використання в приміщенні.



Прочитайте інструкції цього посібника перед використанням.

Електрична безпека



Зарядний пристрій має подвійну ізоляцію, тому заземлення не потрібне. Завжди перевіряйте відповідність джерела живлення напрузі, що вказана на таблиці з паспортними даними.

- ◆ Якщо шнур живлення пошкоджений, його необхідно замінити у виробника або в авторизованому сервісному центрі компанії BLACK+DECKER для уникнення небезпеки.
- ◆ **Увага!** Ніколи не намагайтесь замінити зарядний пристрій звичайним мережним штепселем.

Компоненти

1. Вимикач
2. Кнопка блокування
3. Кнопка звільнення ножа
4. Ніж ножиць (GSL200/GSL360/GSL700)
5. Ніж тримера (GSL300/GSL360/GSL700)
6. Індикатор заряджання

Монтаж

Увага! Уникайте випадкового ввімкнення інструмента під час збирання.

Монтаж настінного кріплення (рис. А та В)

Настінне кріплення монтується на стіні для створення місця для зручного зберігання та заряджання пристрою.

- ◆ Закрутіть гвинти в стіну через отвори в щілинах настінного кріплення.
- ◆ Повісьте інструмент на настінне кріплення.

- ◆ Підключіть зарядний пристрій і переконайтесь, що індикатор (6) загорівся (рис. А).
- ◆ За необхідності використовуйте два цвяхи (7) під настінним кріпленням для зберігання запасних лез (рис. В).

Увага! Не пошкодьте мережний шнур під час монтування кріплення на стіні.

Знімання штепселя зарядного пристрою з настінного кріплення (рис. С)

Інструмент можна заряджати, не використовуючи настінне кріплення. Штепсель зарядного пристрою можна підключити безпосередньо до інструмента.

- ◆ Вийміть гвинти із задньої частини настінного кріплення.
- ◆ Щоб відкрити настінне кріплення, витягніть його задню частину (8) з передньої (9).
- ◆ Зніміть штепсель зарядного пристрою з настінного кріплення.

Установлення та знімання ножа (рис. D та E)

Ніж ножиць (4) призначений для підрізання трави та бур'янів. Ніж тримера (5) призначений для підрізання живоплоту й кущів.

- ◆ Зніміть кришку ножа.
- ◆ Натисніть та утримуйте кнопку звільнення ножа (3) у напрямку стрілки (рис. D1).
- ◆ Зсуньте кришку ножа (10) назад і зніміть її (рис. D2).
- ◆ Опустіть ніж на штифти.
- ◆ Утримуючи ніж на штифтах (рис. E1), установіть кришку ножа (10) на місце й посуňte її вперед (рис. E2).

Примітка. Вирівнювання ножа на напрямному штифті не потрібне, а також за повторного встановлення кришки ножа не потрібно чіпати кнопку звільнення ножа.

Використання

Увага! Інструмент має працювати з рекомендованою швидкістю. Не перевантажуйте його.

Заряджання акумулятора

Необхідно зарядити батарею перед першим використанням, а також коли вона не може забезпечити достатньої потужності для виконання завдань, які легко виконувались раніше. Під час першого заряджання батареї чи після тривалого її зберігання вона зарядиться лише на 80 %. Після кількох циклів заряджання-розряджання ємність батареї досягне свого максимуму. Батарея може стати теплою під час заряджання: це нормально та не є показником проблеми.

Увага! Не заряджайте батарею за температури навколишнього середовища нижче 10 °С або вище 40 °С. Рекомендована температура заряджання — близько 24 °С.

Інструмент можна залишати приєднаним до зарядного пристрою на необмежений час.

Щоб термін служби батареї був максимальним, рекомендується тримати її підключеною до зарядного пристрою, коли інструмент не використовується. Коли батарея повністю заряджена, споживання електроенергії зарядним пристроєм незначне.

Заряджання за допомогою настінного кріплення (рис. F)

- ◆ Повісьте інструмент на настінне кріплення (11).
- ◆ Підключіть зарядний пристрій.

Заряджання за допомогою штепселя зарядного пристрою (рис. G)

Штепсель зарядного пристрою має блокування для запобігання використанню невідповідного зарядного пристрою.

- ◆ Вставте штепсель зарядного пристрою (12) в роз'єм для заряджання в задній частині пристрою.
- ◆ Підключіть зарядний пристрій.

GSL700 - Заряджання акумулятора

- ◆ Зарядіть акумулятор.

Під час заряджання батареї індикатор заряджання (6) почне блимати. Індикатор припинить блимати, коли заряджання буде завершено.

GSL200/GSL300/GSL360 - Заряджання акумулятора

- ◆ Зарядіть акумулятор.

Під час заряджання батареї індикатор заряджання (6) почне блимати. Індикатор припинить блимати, коли заряджання буде завершено. Якщо індикатор заряджання швидко блимає, це свідчить про проблему із заряджанням. Коли виникає проблема із заряджанням, підключіть інструмент безпосередньо до штепселя заряджання, прибравши настінне кріплення. Якщо проблема із заряджанням не зникла, зарядний пристрій необхідно від'єднати від електромережі та відправити до авторизованого сервісного центру.

Увімкнення та вимкнення (рис. H)

Увімкнення

- ◆ Посуňte кнопку блокування (2) праворуч чи ліворуч і втримуйте її, а потім натисніть перемикач Увімк./Вимк. (1).
- ◆ Відпустіть кнопку блокування.

Вимкнення

- ◆ Відпустіть перемикач Увімк./Вимк. (1).

Увага! У жодному разі не намагайтесь заблокувати перемикач у ввімкненому положенні.

Підказки для оптимального використання (рис. I та J)

- ◆ Розбризкуйте на ніж тонкий шар легкого універсального мастила перед першим використанням і тоді, коли ножі сухі на вигляд.

Підстригання трави

- ◆ Щоб досягти оптимальних результатів, скошуйте тільки суху траву.
- ◆ Тримайте інструмент, як показано на рис. I. Тримайте вільну руку подалі від ножа. Займайте стійке робоче положення, щоб не послизнутись. Не перенапружуйтеся.
- ◆ Підрізаючи довгу траву, працюйте етапами, починаючи згори. Робіть невеликі зрізи.
- ◆ Тримайте інструмент подалі від твердих предметів і ніжних рослин.
- ◆ Якщо інструмент починає працювати повільніше, зменште навантаження.
- ◆ Щоб зробити зріз ближче, трохи нахиліть інструмент.

Підстригання живоплоту

- ◆ Трохи нахиліть інструмент (до 15° відносно лінії зрізу), щоб вістря ножів були злегка спрямовані на живопліт (рис. J). Так ножі стригтимуть більш ефективно.
- ◆ Почніть із підстригання верхівки живоплоту. Утримуйте інструмент під бажаним кутом і рівномірно переміщуйте його вздовж лінії зрізу. Двосторонні ножі дають можливість підрізати в обох напрямках.
- ◆ Щоб отримати ідеально рівний зріз, натягніть уздовж живоплоту шнурок на бажаній висоті. Використовуйте шнурок як орієнтир, підрізаючи живопліт зразу над ним.
- ◆ Для отримання плоских сторін робіть зрізи низу-вгору, у напрямку росту. Молоді пагони рухаються назовні, коли ножі ріжуть згори-вниз, що призводить до утворення ділянок з нерівностями в живоплоті.
- ◆ Будьте обережні й оминайте сторонні предмети. Особливо це стосується твердих об'єктів, таких як металеві дроти й огорожі, оскільки вони можуть пошкодити ножі.
- ◆ Регулярно змащуйте ножі.

Інструкції з підрізання (для Великої Британії та Ірландії)

- ◆ Підрізайте живоплоти й кущі із сезонним листям (новим листям щороку) у червні та жовтні.
- ◆ Підрізайте вічнозелені рослини у квітні та серпні.
- ◆ Підрізайте хвойні рослини та інші кущі, що швидко ростуть, раз на шість тижнів із травня до жовтня.

Інструкції з підрізання (для Австралії та Нової Зеландії)

- ◆ Підрізайте живоплоти й кущі із сезонним листям (новим листям щороку) у грудні й березні.
- ◆ Підрізайте вічнозелені рослини у вересні та лютому.
- ◆ Підрізайте хвойні рослини та інші кущі, що швидко ростуть, раз на шість тижнів із жовтня до березня.

Технічне обслуговування

Ваш пристрій виробництва компанії BLACK+DECKER призначений для роботи протягом тривалого часу з мінімальним обслуговуванням. Тривала задовільна робота приладу залежить від належного обслуговування приладу та регулярного його очищення.

Увага! Перед виконанням будь-якого технічного обслуговування інструмента зі шнуром живлення або без нього виконайте такі дії.

- ◆ Вимкніть пристрій/інструмент та відключіть його від мережі живлення.
- ◆ Або вимкніть інструмент та витягніть з нього акумулятор, якщо ваш пристрій/інструмент має окремі акумуляторний блок.
- ◆ Або повністю розрядіть акумулятор, якщо пристрій має вбудований акумулятор, а потім вимкніть інструмент.
- ◆ Вийміть зарядний пристрій з розетки перед очищенням. Зарядний пристрій не вимагає технічного обслуговування, потрібно лише виконувати регулярне очищення.
- ◆ Регулярно очищуйте вентиляційні отвори пристрою / інструмента / зарядного пристрою за допомогою м'якої щітки або сухої ганчірки.
- ◆ Регулярно очищуйте корпус електродвигуна, використовуючи вологу ганчірку. Не використовуйте абразивні очищувачі та засоби, що містять розчинники.
- ◆ Регулярно відкривайте затиснений патрон та струшуйте його, щоб видалити пил ізсередини (якщо патрон наявний).
- ◆ Ретельно очищуйте ножі після використання. Після очищення нанесіть тонкий шар машинної оливи, щоб запобігти іржавінню ножів.

Зберігання

Якщо інструмент не використовуватиметься протягом кількох місяців, краще залишити батарею підключеною до зарядного пристрою. В іншому випадку виконайте описані нижче дії.

- ◆ Повністю зарядьте батарею.
- ◆ Зберігайте інструмент у безпечному й сухому місці. Температура зберігання має завжди залишатися в межах від +10 °C до +40 °C.
- ◆ Перед тим як користуватися інструментом після тривалого зберігання, знову повністю зарядьте батарею.

Захист навколишнього середовища



Роздільний збір. Пристрої та батареї, позначені цим символом, не можна викидати зі звичайним побутовим сміттям.

Пристрої та батареї містять матеріали, які можна відновити та переробити, що зменшить потребу в сировині.

Будь ласка, віддавайте електричні інструменти та батареї на переробку відповідно до місцевих постанов. Більш детальну інформацію можна отримати на сайті www.2helpU.com.

Технічні характеристики

		GSL200 (H1)	GSL300 (H1)
Напруга	$V_{\text{пост. струму}}$	3,6	3,6
Довжина ходу леза (без навантаження)	хв^{-1}	850	850
Довжина ножа (ножиць)	см	10	—
Проміжок між ножами (ножиць)	мм	23	—
Довжина ножа (тримера)	см	—	15
Проміжок між ножами (тримера)	мм	—	8
Час зупинки леза	с	< 1	< 1
Маса	кг	0,65	0,65

		GSL360 (H1)	GSL700 (H1)
Напруга	$V_{\text{пост. струму}}$	3,6	7,0
Довжина ходу леза (без навантаження)	хв^{-1}	850	850
Довжина ножа (ножиць)	см	10	10
Проміжок між ножами (ножиць)	мм	23	23

		GSL360 (H1)	GSL700 (H1)
Довжина ножа (тримера)	см	15	15
Проміжок між ножами (тримера)	мм	8	8
Час зупинки леза	с	< 1	< 1
Маса	кг	0,65	0,65

Зарядний пристрій		905450xx	905527xx 9062xxxx
Вхідна напруга	V_{AC}	230	230
Вихідна напруга	$V_{\text{пост. струму}}$	9	10
Струм	mA	100	120
Приблизний час першого зарядження	годин	19	14
Маса	кг	0,15	0,15

Рівень звукового тиску згідно з EN 60745

Звуковий тиск (L_{pA}) 66 дБ(A), похибка (K) 3 дБ(A)

Звукова потужність (L_{WA}) 77 дБ(A), похибка (K) 3 дБ(A)

Загальні значення вібрації (векторна сума трьох векторів) згідно з EN 60745

(a_w) 3,1 м/с², похибка (K) 1,5 м/с²

ДИРЕКТИВА ДЛЯ МЕХАНІЧНОГО ОБЛАДНАННЯ ДИРЕКТИВА ПРО ШУМИ, ЩО ВИНИКАЮТЬ ПОЗА ПРИМІЩЕННЯМИ



GSL200, GSL300, GSL360, GSL700 — Ножиці/Тример.

Компанія Black & Decker заявляє, що продукти, описані в розділі «Технічні дані», відповідають: EN60745-1:2009+A11:2010, EN60745-2-15:2009+A1:2010.

2000/14/EC, тример, додаток V.

Рівень акустичної потужності відповідно до (5) 2000/14/EC (стаття 13):

L_{WA} (виміряна акустична потужність) 77 дБ(A),

L_{WA} (гарантована акустична потужність) 87 дБ(A).

Ці продукти також відповідають Директивам 2006/42/EC, 2014/30/EU і 2011/65/EU.

Для отримання додаткової інформації, будь ласка, зверніться до компанії Black & Decker за наведеною нижче адресою або прочитайте інформацію на зворотному боці цього посібника.

Особа, яка підписалася нижче, несе відповідальність за впорядкування файлу технічних характеристик та робить цю заяву від компанії Black & Decker.



Рей Лаверік (Ray Laverick),
технічний директор
Black & Decker Europe, 210 Bath Road, Slough,
Berkshire, SL1 3YD
United Kingdom (Велика Британія)
27/02/2019

Гарантія

Компанія Black & Decker упевнена в якості своєї продукції та пропонує споживачам гарантію тривалістю 24 місяці від дати купівлі. Ця гарантія доповнює й жодним чином не обмежує ваші законні права. Ця гарантія є чинною на території країн — членів Європейського Союзу та в європейській зоні вільної торгівлі.

Позов за гарантією має відповідати умовам компанії Black & Decker, при цьому вам необхідно надати доказ купівлі продавцю або спеціалісту офіційного сервісного центру. Умови 2-річної гарантії компанії Black & Decker та місцезнаходження найближчого сервісного центру можна дізнатися в інтернеті на сайті www.2helpU.com або звернувшись до місцевого представництва компанії Black & Decker за адресою, вказаною в цьому посібнику.

Будь ласка, відвідайте наш сайт www.blackanddecker.ua, щоб зареєструвати свій новий продукт Black & Decker та отримувати інформацію про нові продукти та спеціальні пропозиції.



Виробник:
"Stanley Black & Decker Deutschland
GmbH" Black-&-Decker Str.40, D-65510
Idstein, Німеччина



ГАРАНТІЙНИЙ ТАЛОН

2 РОКИ
ГАРАНТІЇ

1. Вітаємо Вас з покупкою високоякісного виробу Black+Decker і висловлюємо вдячність за Ваш вибір.
2. При покупці виробу вимагайте перевірки його комплектності і справності у Вашій присутності, інструкцію з експлуатації та заповнений гарантійний талон українською мовою. В гарантійному талоні повинні бути внесені: модель, дата продажу, серійний номер, дата виробництва інструменту; назва, печатка і підпис торгової організації. За відсутності у Вас правильно заповненого гарантійного талону, а також при невідповідності зазначених у ньому даних ми будемо змушені відхилити Ваші претензії щодо якості даного виробу.
3. Щоб уникнути непорозуміння, переконливо просимо Вас перед початком роботи з виробом уважно ознайомитися з інструкцією з його експлуатації. Правовою основою справжніх гарантійних умов є чинне Законодавство. Гарантійний термін на даний виріб складає 24 місяці і обчислюється з дня продажу. У разі усунення недоліків виробу, гарантійний строк продовжується на період його перебування в ремонті. Термін служби виробу становить 5 років з дня продажу.
4. У разі виникнення будь-яких проблем у процесі експлуатації виробу рекомендуємо Вам звертатися тільки в уповноважені сервісні центри Black+Decker, адреси та телефони яких Ви зможете знайти в гарантійному талоні, на сайті www.2helpU.com або дізнатися в магазині. Наші сервісні станції - це не тільки кваліфікований ремонт, але і широкий асортимент запчастин і аксесуарів.
5. Виробник рекомендує проводити періодичну перевірку і технічне обслуговування виробу в уповноважених сервісних центрах.
6. Наші гарантійні зобов'язання поширюються тільки на несправності, виявлені протягом гарантійного терміну і викликані дефектами виробництва та \ або матеріалів.
7. Гарантійні умови не поширюються на несправності виробу, що виникли в результаті:
 - 7.1. Недотримання користувачем приписів інструкції з експлуатації виробу, застосування виробу не за призначенням, неправильного зберігання, використання приладдя, витратних матеріалів і запчастин, що не передбачені виробником.
 - 7.2. Механічного пошкодження (відколи, тріщини і руйнування) внутрішніх і зовнішніх деталей виробу, основних і допоміжних рукояток, мережевого кабелю, що викликані зовнішнім ударним або будь-яким іншим впливом
 - 7.3. Потраплення у вентиляційні отвори та проникнення всередину виробу сторонніх предметів, матеріалів або речовин, що не є відходами, які супроводжують застосування виробу за призначенням, такими як: стружка, тирса, пісок, та ін.
 - 7.4. Впливу на виріб несприятливих атмосферних і інших зовнішніх факторів, таких як дощ, сніг, підвищена вологість, нагрівання, агресивні середовища, невідповідність параметрів електромережі, що зазначені на інструменті.
 - 7.5. Стихійного лиха. Пошкодження або втрати виробу, що пов'язані з непередбаченими лихами, стихійними явищами, у тому числі внаслідок дії непереборної сили (пожежа, блискавка, потоп і інші природні явища), а також внаслідок перепадів напруги в електромережі та іншими причинами, які знаходяться поза контролем виробника.
8. Гарантійні умови не поширюються:
 - 8.1. На інструменти, що піддавались розкриттю, ремонту або модифікації поза уповноваженим сервісним центром.
 - 8.2. На деталі, вузли та матеріали, що мають сліди природного зносу, такі як: приводні ремені і колеса, вугільні щітки, мастило, підшипники, зубчасті зчеплення редукторів, гумові ушілення, сальники, направляючі ролики, муфти, вимикачі, бойки, штовхачі, стволи тощо.
 - 8.3. На змінні частини: патрони, цанги, затискні гайки і фланці, фільтри, ножі, шліфувальні підшви, ланцюги, зірочки, пильні шини, захисні кожухи, пилки, абразиви, пильні і абразивні диски, фрези, свердла, бури тощо
 - 8.4. На несправності, що виникли в результаті перевантаження інструменту (як механічного, так і електричного), що спричинили вихід з ладу одночасно двох і більше деталей і вузлів, таких як: ротора і статора, обох обмоток статора, веденої і ведучої шестерень редуктора або інших вузлів і деталей. До безумовних ознак перевантаження виробу відносяться, крім інших: поява кольорів млиновитості, деформація або оплавлення деталей і вузлів виробу, потемніння або обвуглювання ізоляції проводів електродвигуна під впливом високої температури.

Товар отриманий в справному стані, без видимих ушкоджень, в повній комплектації, перевірений у моїй присутності, претензій щодо якості товару не маю. З умовами гарантійного обслуговування ознайомлений і згоден.

П. І. Б. та підпис власника

Шановні клієнти, наша мережа авторизованих сервісних центрів постійно розширюється. Актуальну інформацію про обслуговування в місті, що цікавить вас, ви можете дізнатися на сайті

www.2helpU.com

Інформація про інструмент

Найменування інструменту	
Модель	
Найменування продавця	
Дата продажу	

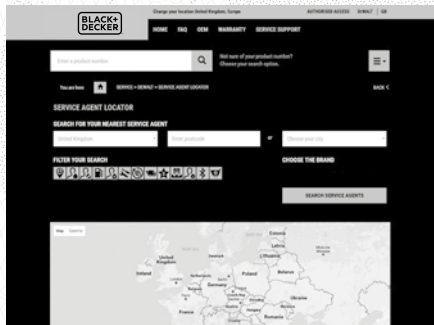
М.П.
Продавця

Серійний номер/Дата виробництва

Інструмент	
Зарядний пристрій	
Акумулятор 1	
Акумулятор 2	

На сайті www.2helpU.com доступні наступні функції:

- Список авторизованих сервісних центрів
- Зручний пошук найближчого сервісного центру
- Керівництво з експлуатації
- Технічні характеристики
- Список деталей і запасних частин
- Схема складання інструменту



**Також дану інформацію ви можете отримати, зателефонувавши за номером:
0 (800) 211 521 в Україні**

ВІДМІТКА ПРО ПРОВЕДЕННЯ СЕРВІСНОГО ОБСЛУГОВУВАННЯ

№1	№2	№3	№4
№ замовлення	№ замовлення	№ замовлення	№ замовлення
Дата прийому	Дата прийому	Дата прийому	Дата прийому
Дата ремонту	Дата ремонту	Дата ремонту	Дата ремонту
Печатка і підпис сервісного центру	Печатка і підпис сервісного центру	Печатка і підпис сервісного центру	Печатка і підпис сервісного центру